

4

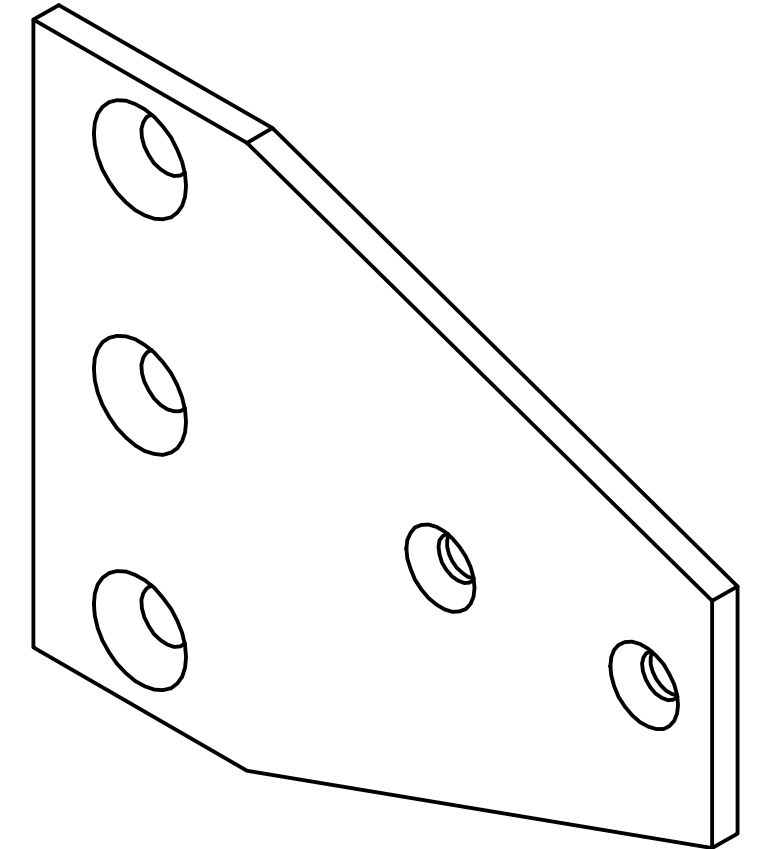
3

2

1

D

D



C

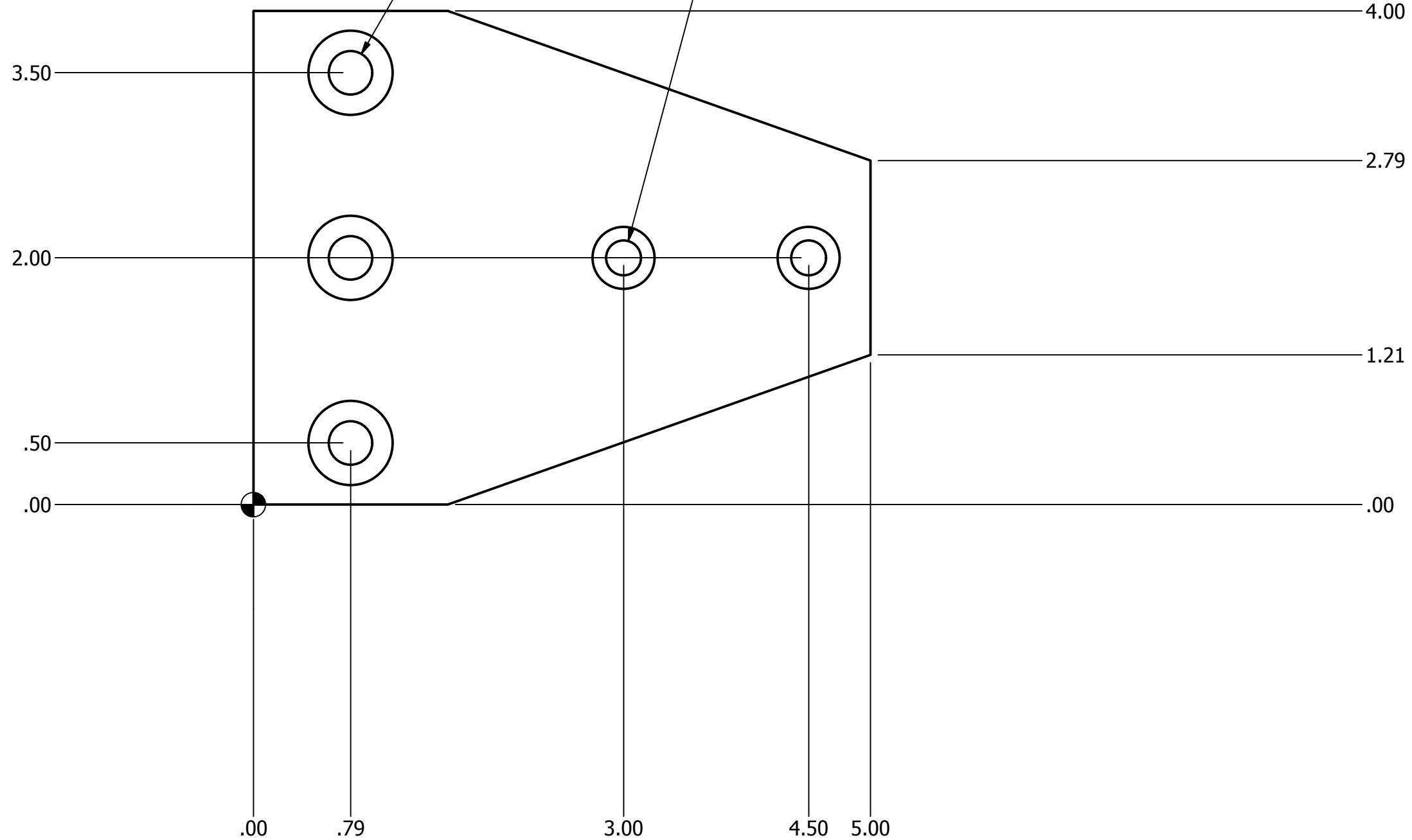
C

Ø.35 C'snk 82 deg

Ø.28 C'snk 82 deg

B

B



.19

Material: Alum Sheet  
2 pcs. required

A

A

DRAWN stc21630		1/25/2011		TITLE	
CHECKED					
QA					
MFG					
APPROVED				SIZE	DWG NO
				C	arm gusset
				SCALE	REV
					SHEET 1 OF 1

4

3

2

1